

Vehicle Access Solutions for Perimeter Protection

MCG Cantilever Gate



- » Designed for commercial, industrial and security applications.
- » The design eliminates the need for ground tracks and overhead rails.
- » Suitable for gate leaves up to 12 metres.
- » The cantilever system and customised options allow for a variety of motors and controllers to be installed dependent on the duty cycle of the gate.

Track

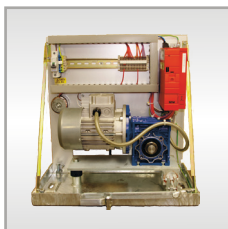
Cantilever

Swing



Construction

Fully welded Australian made RHS steel is used in the gate frame, back runner and support posts, with 25 x 25mm RHS uprights. All fabricated steel is hot dipped galvanized for total protection and maximum life span. The MCG Sliding gate allows for single leaf spans of up to 10 metres. Powder coating is optional from a wide selection of powder coating colours. All rollers are supplied with sealed ball bearings which are designed to exceed gate loads and are capable of 100% duty cycle.



Drive System

The construction of the MCG gate system allows for a variety of motors and controllers to be used dependant on the required duty cycle of the gate. A typical motor drive supplied by Magnetic Automation is the MSL 20 MCE. Please contact your local Magnetic Automation office for further details.



Safety Devices

Standard safety devices include PE beams, inductive loop detectors and signage for use on automatic gate systems. Optional safety devices include flashing lights, audible alarms, safety edge strips, safety light curtains and polycarbonate clear safety screens.



Accessories

A variety of accessories are available such as climb protection - spikes, barbed wire and pressed spears, uninterrupted power supply, steel cladding and chain wire mesh. Bi-parting gates can also be applied to wide roadways.

MCG,001_EN_03/03,2015 | Subject to change without prior written notice.

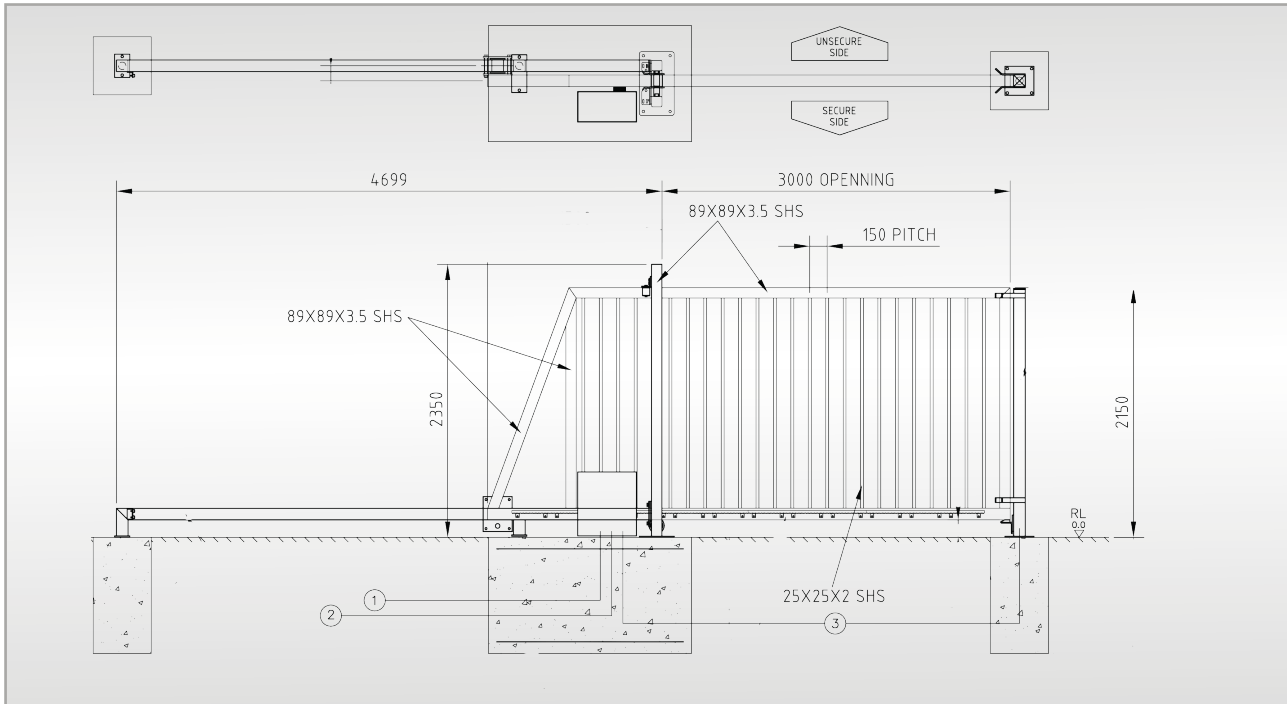


Technical Data

MCG Cantilever Gate

Maximum Gate Opening Length	12,000 mm
Standard Gate Height (custom heights available)	2,150 mm
Warranty	1 year

Diagrams provided for information purposes only



Example Installations



National Sales

☎ 0800 487 476

Auckland

☎ +64 9 634 7128

✉ 4sales@htsgroup.co.nz

Wellington

☎ +64 4 939 1010

✉ 4sales@htsgroup.co.nz

Magnetic Head Office

☎ +61 3 9339 2900

✉ info@magnetic-oz.com

